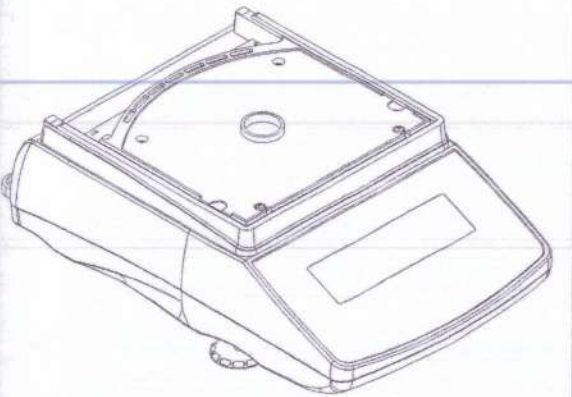
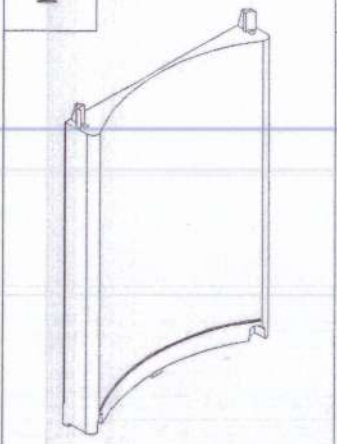
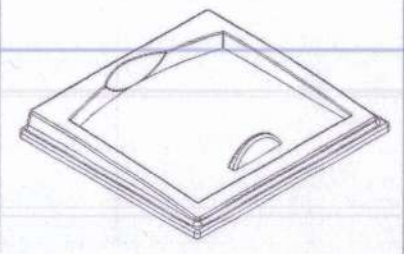
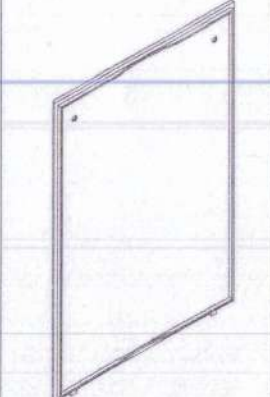
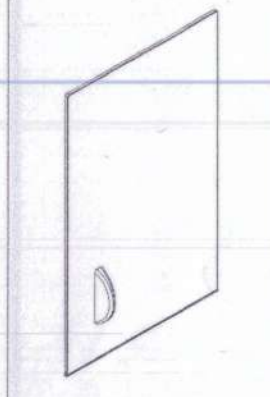
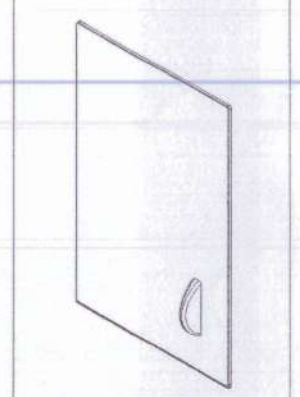
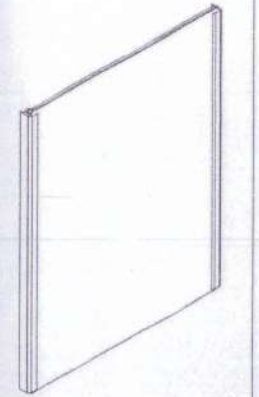
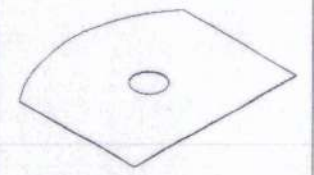
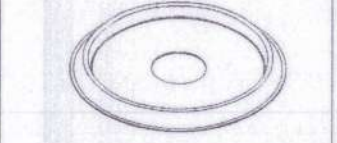




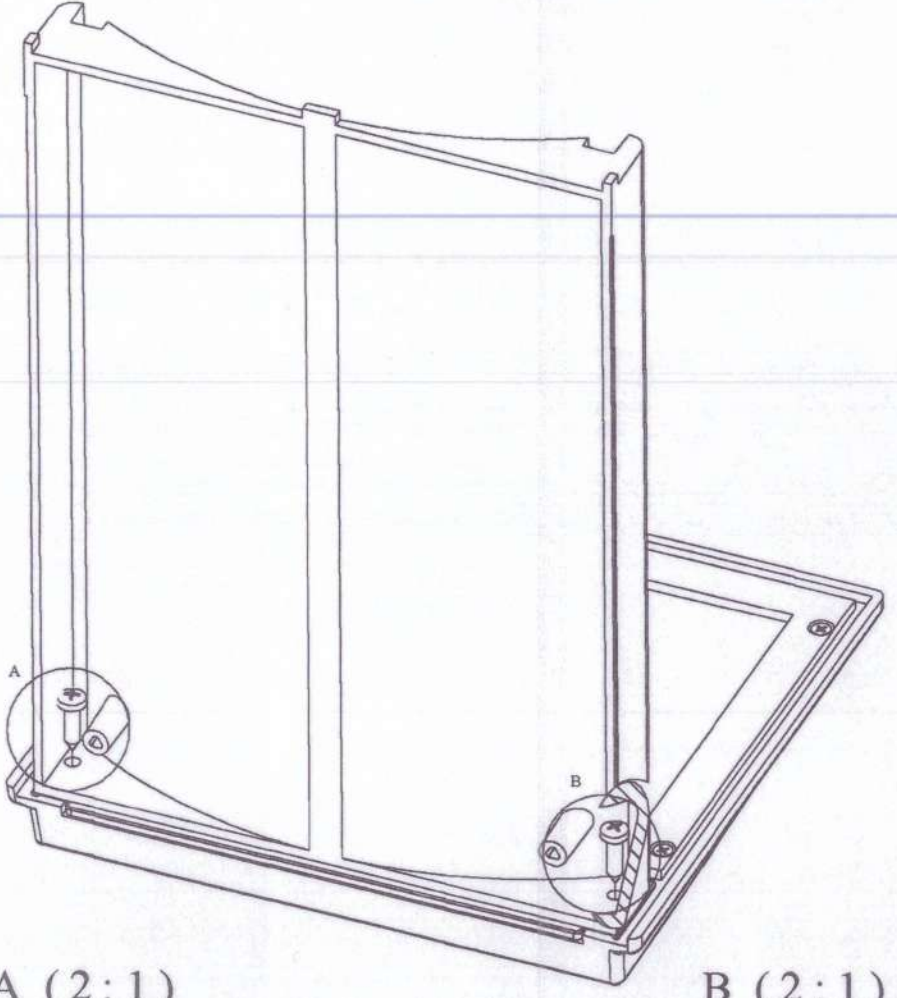


ACN(G) weighing chamber components and parts list

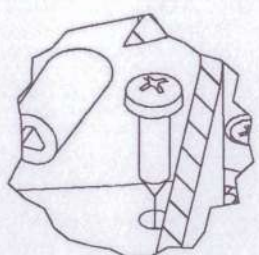
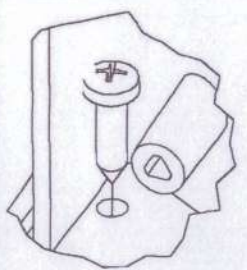
<p>0</p>  <p>x1 ACN(G) balance</p>	<p>1</p>  <p>x1 Back wall - internal</p>	<p>2</p>  <p>x1 Upper frame set with glass</p>	<p>3</p>  <p>x1 Back wall - external</p>	<p>4</p>  <p>x1 Right glass</p>	<p>5</p>  <p>x1 Left glass</p>	
<p>6</p>  <p>x1 Front glass</p>	<p>7</p>  <p>x1 Decorative cover</p>	<p>8</p>  <p>x1 Pan cover</p>	<p>9</p>  <p>x1 Pan plate set</p>	<p>10</p>  <p>x1 Decorative pan</p>	<p>11</p>  <p>x4 Screw 4.2x16</p>	<p>12</p>  <p>x2 Screw 3.5x16</p>

A 1 + 2 + 11 (x2)

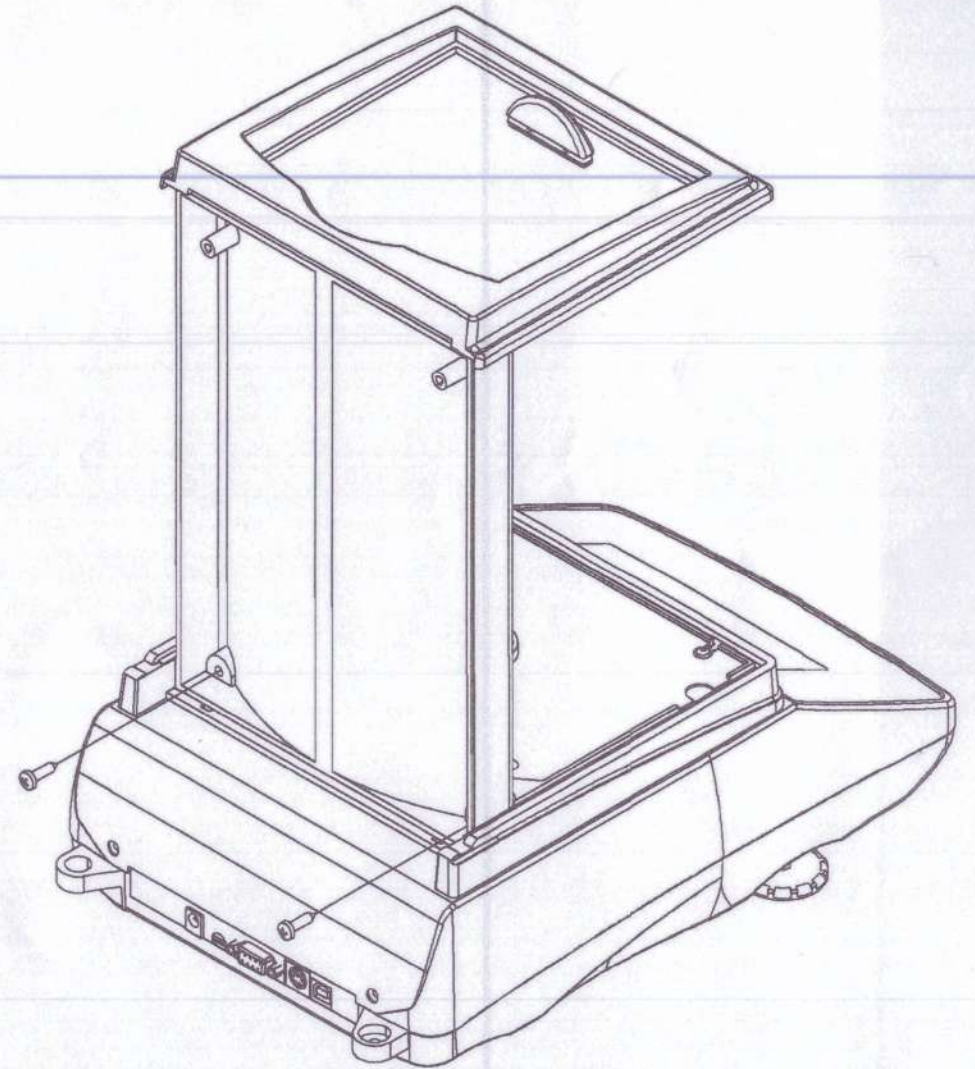


A (2:1)

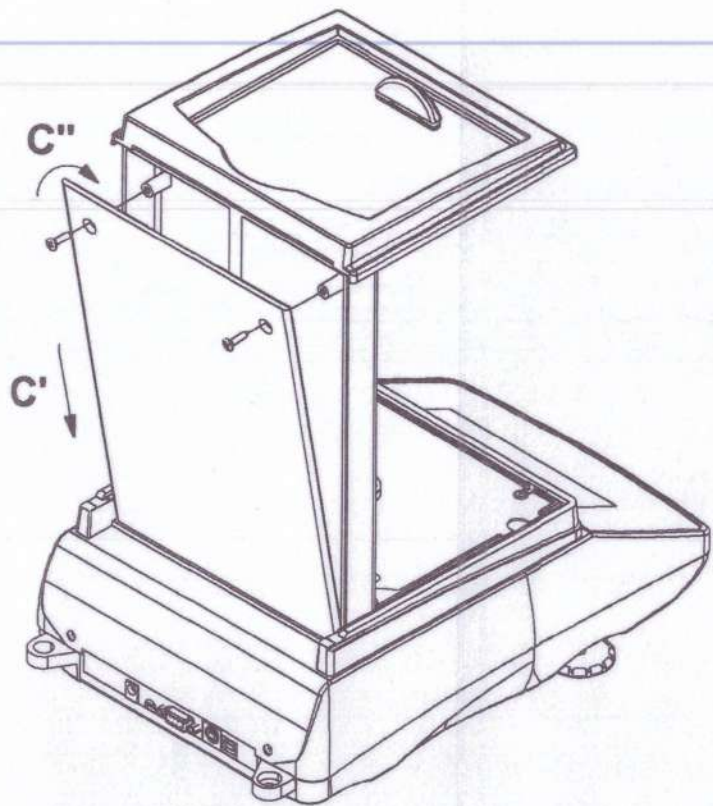
B (2:1)



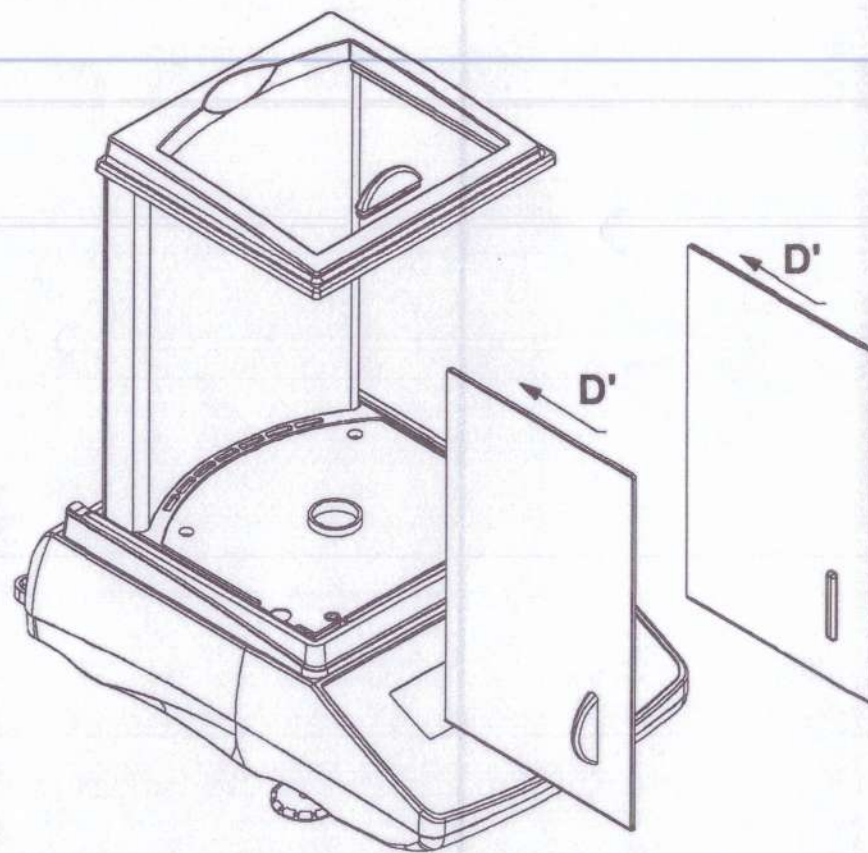
B A + 0 + 11 (x2)

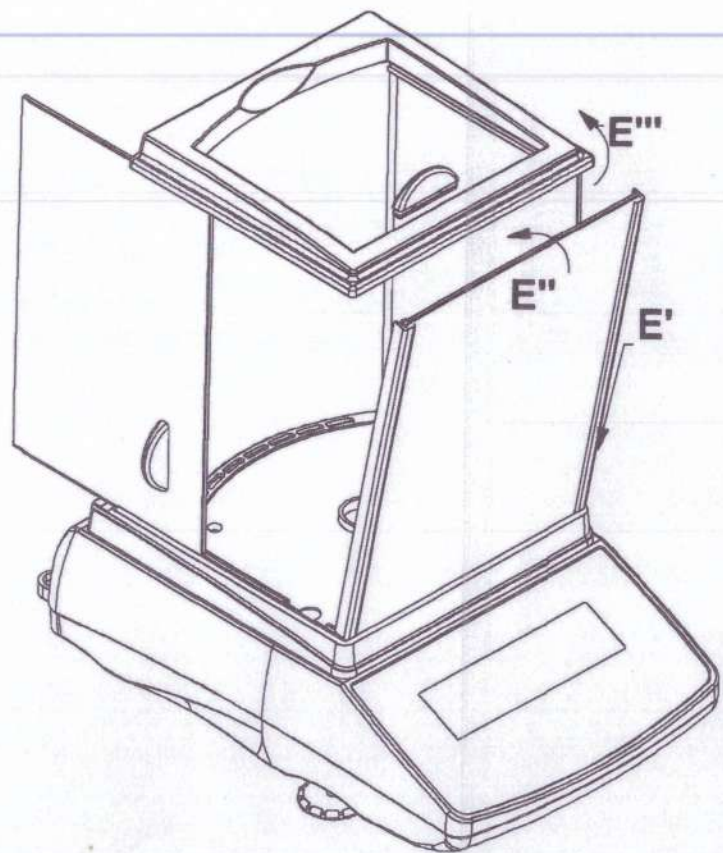
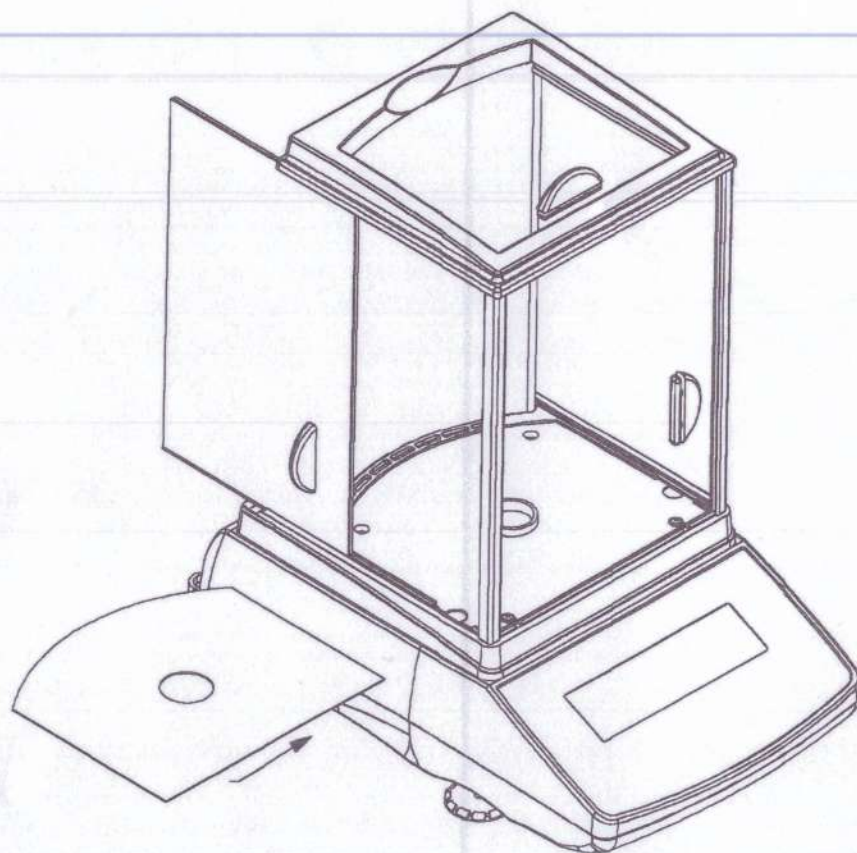


C **B + 3 + 12 (x2)**



D **C + 4 + 5**



E**D + 6****F****E + 7**

G

F + 8 + 9 + 10

