

## TORQUE TESTER FSC

- torque measurement in both directions
- high speed of measurement - up to 1000 samples per second
- peak mode
- storing measurement results into memory
- USB and RS232C serial interface
- statistics, graphs, comparing to thresholds function



FSC series meters are designed to calibrate/check torque wrenches. In order to do measurement torque force sensor is mounted to panel. Hand held torque wrench equipped with proper tip is placed into force sensor socket. When stressing the torque wrench user compares wrench indications with FSC meter indications.



ext. calibration



force chart



units selection



max force



results memory



date and time



multilanguage



min force



printout configuration



thresholds/seletion



statistics

### Principles of operation



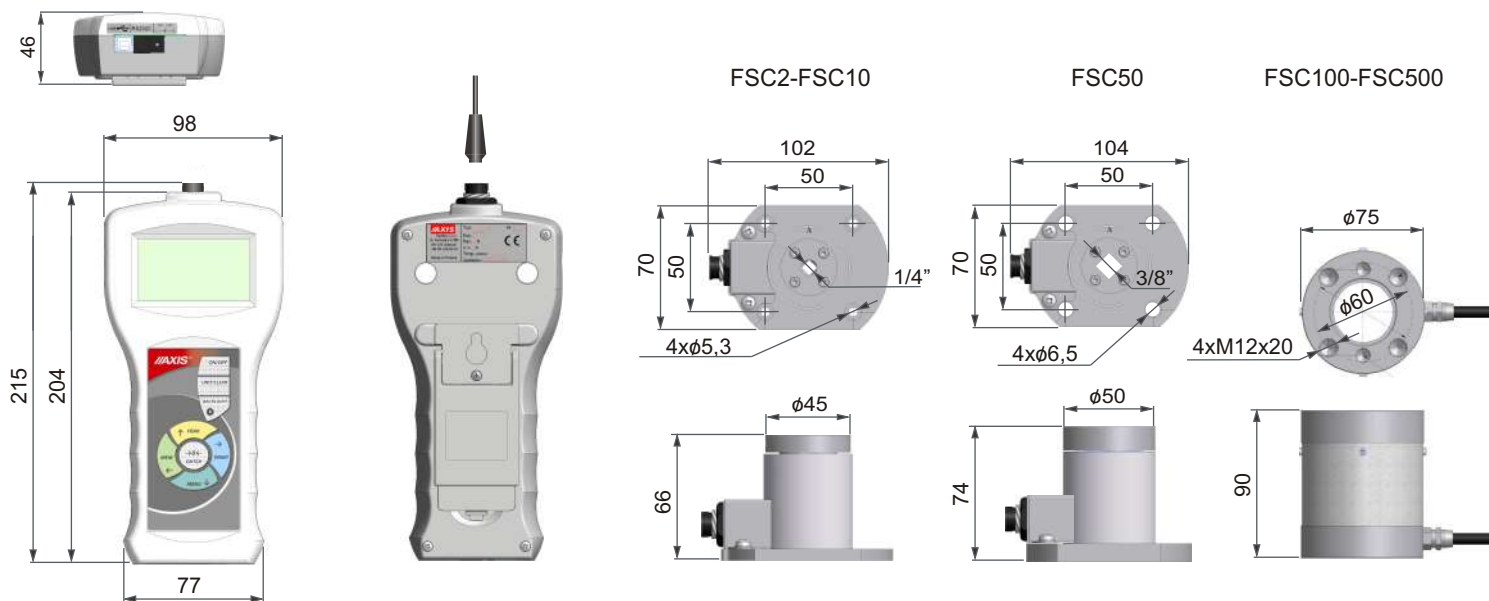
The way of checking torque wrenches



Torque measurement using fidaptor



Option with wireless module



## Technical data

Model	FSC2	FSC5	FSC10	FSC50	FSC100	FSC200	FSC500
Maximum force measured	2Nm (~0,2kgfm)	5Nm (~0,5kgfm)	10Nm (~1kgfm)	50Nm (~5kgfm)	100Nm (~10kgfm)	200Nm (~20kgfm)	500Nm (~50kgfm)
Reading graduation	0,001Nm	0,001Nm	0,01Nm	0,01Nm	0,1Nm	0,1Nm	0,1Nm
Accuracy	±0,5% F.S.						
Maximum overload	150% F.S.						
Operational temperature	-10 ÷ +40°C						
Units	Nm, Ncm, kgfm, lbfm, gfm						
Display	grafical LCD						
Measurement speed	max 1000 measurements/s						
Measuring functions	maximal value measurement, serial measurement, measurement in time						
Measurements memory	RAM 6 400 measurements, microSD card slot; only FC: optional RAM memory expansion to 72000 measurements or 26000 with date+time						
Interfaces	RS232C, USB, clock; options: trigger IN, transoptor OUT (for thr function), wireless modul						
Software	AXIS FM program						
Power supply	internal accumulators NiMH: 4x1,2V 2700mAh + supply: ~230V 50Hz / 12V; 1,2A						
Working time with accumulator	~30h (~25h with backlighting)						
Wrench size	1/4"			3/8"		on demand	
Dimensions	215x98x46 (meter) 102x70x66mm (sensor)			215x98x46 (meter) 104x70x74mm (sensor)		215x98x46 (meter) φ75x90mm (sensor)	
Weight	0,6kg(meter) + 1,5kg(sensor)						