

## TORQUE TESTER FSA

- torque measurement in both directions
- high speed of measurement - up to 1000 samples per second
- peak mode
- storing measurement results into memory
- USB and RS232C serial interface
- statistics, graphs, comparing to thresholds function



Cap torque testers FSA series are designed for measuring torque during opening jar, bottles etc. Measurement processor enables to register maximal force torque needed for example to open a jar. Tester is equipped with a wide range clamp to measure variety of objects.



ext. calibration



force chart



units selection



max force



results memory



date and time



multilanguage



min force



printout configuration



thresholds/seletion



statistics

### Principle of operation



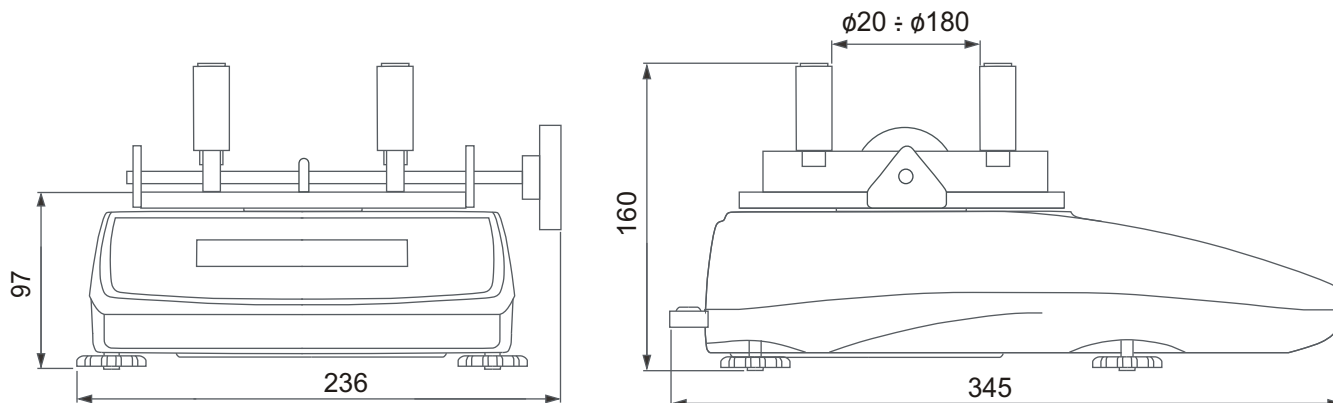
Wide range of adjustable diameters



Easy fixing



Simple measurement



## Technical data

Model	FSA2	FSA5	FSA10
Maximum force measured	2Nm (~0,2kgfm)	5Nm (~0,5kgfm)	10Nm (~1kgfm)
Reading graduation	0,001Nm	0,001Nm	0,01Nm
Accuracy		$\pm 0,5\%$ F.S.	
Maximum overload		150% F.S.	
Operational temperature		-10 $\div$ +40°C	
Units		Nm, Ncm, kgfm, lbfm, gfm	
Display		grafical LCD	
Measurement speed		max 1000 measurements/s	
Measuring functions		maximal value measurement, serial measurement, measurement in time	
Measurements memory	RAM 6 400 measurements, microSD card slot; only FC: optional RAM memory expansion to 72000 measurements or 26000 with date+time		
Interfaces	RS232C, USB, clock; options: trigger IN, transoptor OUT (for thr function)		
Software	AXIS FM program		
Power supply	internal accumulators NiMH: 4x1,2V 2700mAh + supply: ~230V 50Hz / 12V; 1,2A		
Working time with accumulator	~30h (~25h with backlighting)		
Range of diameters	$\phi 20 \div \phi 180$ mm		
Dimensions	345x236x160mm		
Weight	5,1kg		